

REVISION

1	
2	3905
3	
4	
5	
6	
7	
8	
9	
10	
11	
12	
13	
14	
15	
16	
17	
18	
19	
20	

IMPORTANT
WHEN ORDERING SPARES YOU MUST STATE THE FULL PART NUMBER AND THE PRODUCT SERIAL NUMBER - FROM THE LABEL TO PROTECT YOUR WARRANTY ALWAYS USE GENUINE HI-FORCE PARTS.

ITEM NO.	PART NUMBER	DESCRIPTION	QTY.
1	TTC430BA001	BODY	1
2	TTC430NS001	PISTON	1
3	TTC430NS002	PISTON HEAD	1
4	TTC430FS001	BEARING	1
5	TTC430MS001	THRUST PAD	2
6	X	SPRING PIN	1
7	TTC430UA001	END PLUG	1
8	TTC100SA001	MALE SWIVEL CONNECTOR	1
9	TTC045SA002	FEMALE SWIVEL CONNECTOR	1
10	TTC045SA003	SWIVEL CONNECTOR CAP	1
11	X	SKT CSK SCREW	1
12	X	GRUB SCREW	1
13	X	3/16 BALL	1
14	X	SPRING	1
15	VRA280GB001	SPRING SEAT	1
16	x SK	O- RING	3
17	X SK	O- RING	2
18	X	O- RING	1
19	X	BACK UP RING	1
20	CF4F	COUPLER	1
21	CM4F	COUPLER	1
22	HF7	1/4" NPT MALE ADAPTOR	2
23	TTC430JS001	LOCKING PIN	1
24	X	PLUNGER	1
25	X	PLUG	2
26	X	SOCKET CAP HD SCREW	4
27	X	PISTON SEAL	1
28	X	LIP SEAL	1

REVISION

1	
2	3905
3	
4	
5	
6	
7	
8	
9	
10	
11	
12	
13	
14	
15	
16	
17	
18	
19	
20	

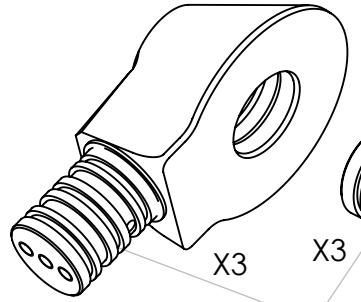
ITEMS MARKED X ARE AVAILABLE IN SERVICE KIT TWH430NTP2-K

ITEMS MARKED SK ARE AVAILABLE IN SWIVEL KIT TWSHTP2-K

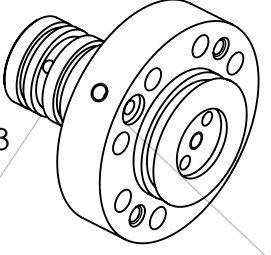
IMPORTANT

WHEN ORDERING SPARES YOU MUST STATE THE FULL PART NUMBER AND THE PRODUCT SERIAL NUMBER - FROM THE LABEL TO PROTECT YOUR WARRANTY ALWAYS USE GENUINE HI-FORCE PARTS.

DO NOT SCALE

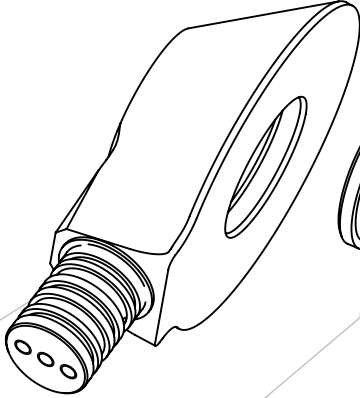


X3



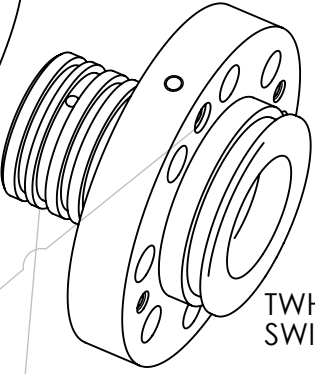
X3

X1



X3

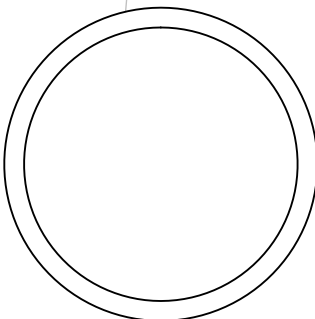
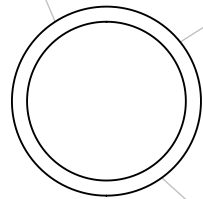
X1



X3

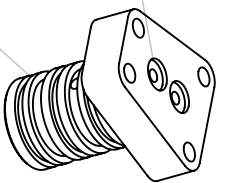
TWH210N
SWIVEL ASSEMBLY

TWH27N
TWH54N
TWH120N
SWIVEL ASSEMBLY



X3

X2



TWS17N
TWS45N
TWS100N
TWS150N
TWS370N
TWH430N
SWIVEL POST

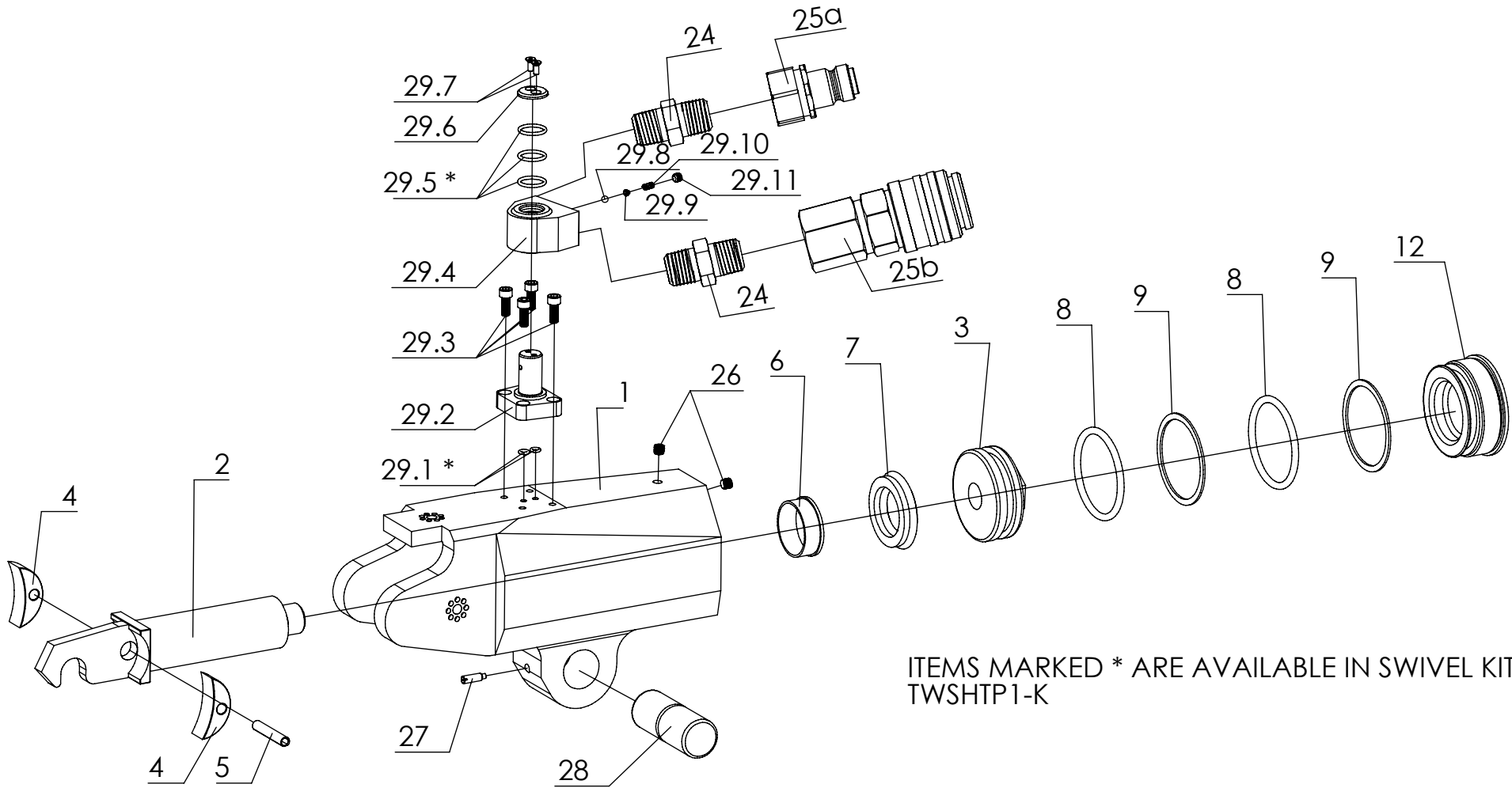
TWSHTP2-K SWIVEL SEAL KIT
(ALL SERIAL NUMBERS EXCEPT THOSE STARTING WITH "D")

PRINT OUT AT FULL SIZE AND
USE AS TEMPLATE TO AID
O-RING IDENTIFICATION

REVISION

1 3905

2
3
4
5
6
7
8
9
10
11
12
13
14
15
16
17
18
19
20



ITEMS MARKED * ARE AVAILABLE IN SWIVEL KIT
TWSHTP1-K

IMPORTANT

WHEN ORDERING SPARES YOU MUST STATE THE FULL PART NUMBER AND THE
PRODUCT SERIAL NUMBER - FROM THE LABEL
TO PROTECT YOUR WARRANTY ALWAYS USE GENUINE HI-FORCE PARTS.

ITEM NO.	PART NUMBER	DESCRIPTION
1	TTC430BA001	HOUSING
2	TTC430NS001	PISTON ROD
3	TTC430NS002 (NOTE 1)	PISTON HEAD
4	TTC430MS001	SLIDER
5	X	SLIDER PIN
6	TTC430FS001	BEARING
7	X	U RING
8	X	O RING
9	X	BACKUP RING
12	TTC430UA001	END CAP
24	HF7	FITTING
25a	CM4F	QUICK COUPLER (MALE)
25b	CF4F	QUICK COUPLER (FEMALE)
26	X	CASING CAP
27	X	BALL PLUNGER
28	TTC430JS001	LINK PIN
29	TTA100SA001 (NOTE4)	UNISWIVEL

NOTES:

- SERVICE KIT TWH430NTP2-K WILL ALSO BE REQUIRED WHEN REPLACING THIS PART
- ITEMS MARKED X ARE AVAILABLE IN SERVICE KIT TWH430NTP1-K
- ITEMS MARKED WITH * ON EXPLODED VIEW ARE AVAILABLE IN SWIVEL KIT TWSHTP1-K
- MUST BE REPLACED AS A SUB-ASSEMBLY

REVISION

1 3905

2
3
4
5
6
7
8
9
10
11
12
13
14
15
16
17
18
19
20

IMPORTANT

WHEN ORDERING SPARES YOU MUST STATE THE FULL PART NUMBER AND THE PRODUCT SERIAL NUMBER - FROM THE LABEL TO PROTECT YOUR WARRANTY ALWAYS USE GENUINE HI-FORCE PARTS.

DO NOT SCALE

WARNING
ON TWH210N TOOLS
WITH THIS TYPE OF SWIVEL IT
IS STRONGLY RECCOMENDED THAT
THE WHOLE ASSEMBLY IS REPLACED
WITH TWH210N-SK ASSEMBLY KIT

