

REVISION	
1	
2	3905
3	3992
4	
5	
6	
7	
8	
9	
10	
11	
12	
13	
14	
15	
16	
17	
18	
19	
20	

IMPORTANT
WHEN ORDERING SPARES YOU MUST STATE THE FULL PART NUMBER AND THE PRODUCT SERIAL NUMBER - FROM THE LABEL TO PROTECT YOUR WARRANTY ALWAYS USE GENUINE HI-FORCE PARTS.

REVISION

1	
2	3905
3	3992
4	
5	
6	
7	
8	
9	
10	
11	
12	
13	
14	
15	
16	
17	
18	
19	
20	

ITEM NO.	PART NUMBER	DESCRIPTION	QTY.
1	TTC054BA001	BODY (NOTE 1)	1
2	TTC054NS003	PISTON HEAD	1
3	TTC054NS002	PISTON ROD	1
4	BSC022LC001	BEARING (NOTE 1)	1
5	TTC054EA001	SWIVEL CONNECTOR GLAND	1
6	TTC054SA001	END SWIVEL GLAND	1
7	TTC045SA002	FEMALE SWIVEL CONNECTOR	1
8	TTC045SA003	SWIVEL CONNECTOR CAP	2
9	TTC054MS001	THRUST PAD	2
10	HF7	1/4" NPT MALE ADAPTOR	2
11	CF4F	COUPLER	1
12	CM4F	COUPLER	1
13	VRA280GB001	SPRING SEAT	1
14	TTC054JS001	LOCKING PIN	1
15	X	LIP SEAL	1

ITEM NO.	PART NUMBER	DESCRIPTION	QTY.
16	X	O- RING	1
17	X	BACK UP RING	1
18	X	SOCKET CAP HD SCREW	8
19	X	SPRING PIN	1
20	X	PISTON SEAL	1
21	X	SKT CSK SCREW	2
22	X	CUP PT SCREW	3
23	X	CUP PT SCREW	1
24	X	GRUB SCREW	1
25	X	3/16 BALL	1
26	X	SPRING	1
27	X SK	O- RING	6
28	X SK	O- RING	1
29	X	BALL PLUNGER	1
30	X	PLUG	1
31	BPC003TS001	PLUG	1

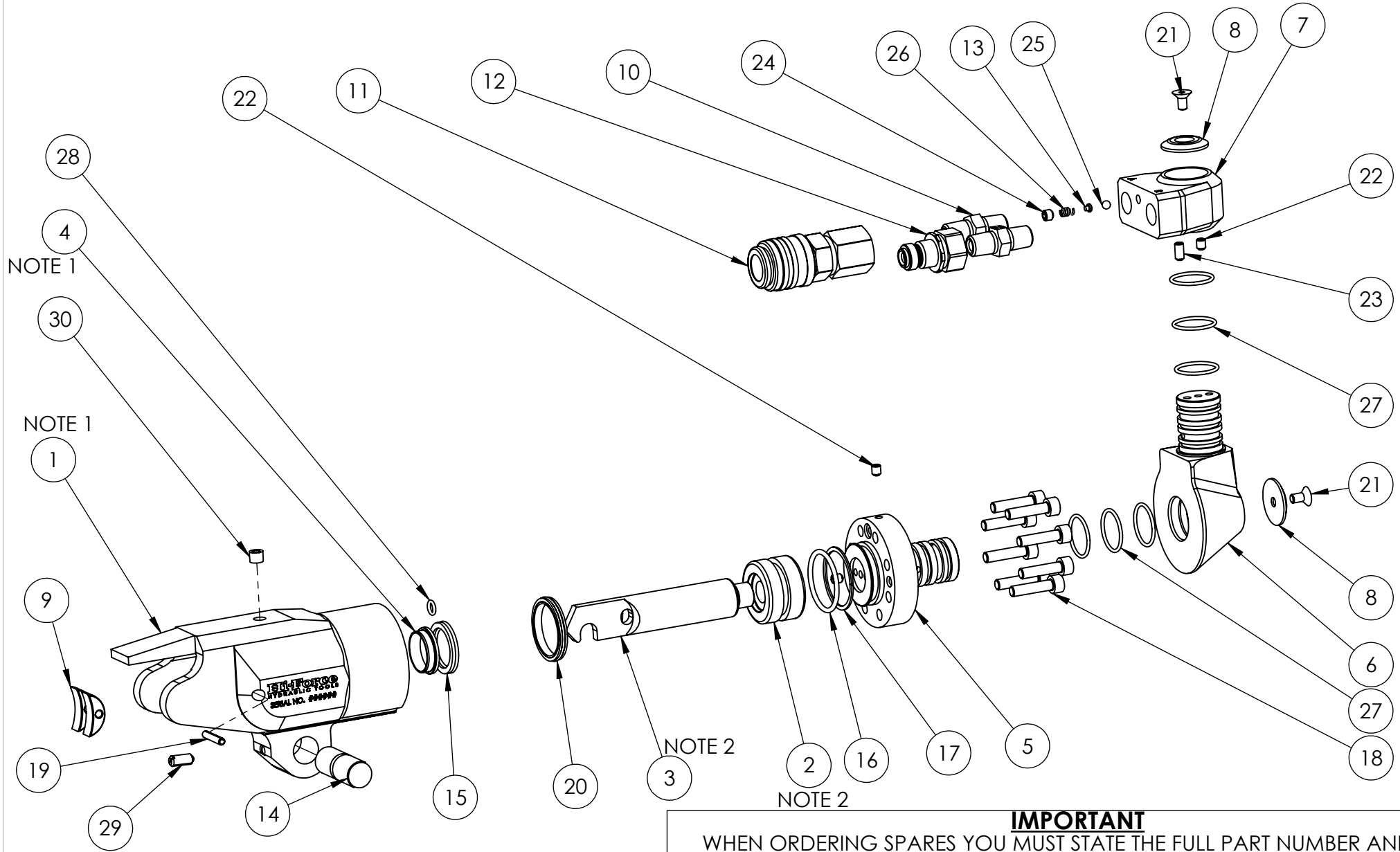
NOTES

- IF BODY IS REPLACED ITEM 4 SHOULD BE REPLACED AS WELL.
- GLAND WRENCH (FOR ITEM 2) AVAILABLE AS PART ATC017PT001

PARTS MARKED "X" ARE AVAILABLE IN SERVICE KIT TWH54NTP2-K ONLY
PARTS MARKED "SK" ARE ALSO AVAILABLE IN SWIVEL KIT TWSHTP2-K

IMPORTANT

WHEN ORDERING SPARES YOU MUST STATE THE FULL PART NUMBER AND THE PRODUCT SERIAL NUMBER - FROM THE LABEL TO PROTECT YOUR WARRANTY ALWAYS USE GENUINE HI-FORCE PARTS.



REVISION	
1	
2	3905
3	
4	
5	
6	
7	
8	
9	
10	
11	
12	
13	
14	
15	
16	
17	
18	
19	
20	

NOTE 1

NOTE 1

NOTE 2

NOTE 2

IMPORTANT
WHEN ORDERING SPARES YOU MUST STATE THE FULL PART NUMBER AND THE PRODUCT SERIAL NUMBER - FROM THE LABEL TO PROTECT YOUR WARRANTY ALWAYS USE GENUINE HI-FORCE PARTS.

REVISION

1	
2	3905
3	
4	
5	
6	
7	
8	
9	
10	
11	
12	
13	
14	
15	
16	
17	
18	
19	
20	

ITEM NO.	PART NUMBER	DESCRIPTION	QTY.
1	TTC054BA001	BODY (NOTE 1)	1
2	TTC054NS003	PISTON HEAD	1
3	TTC054NS002	PISTON ROD	1
4	BSC022LC001	BEARING (NOTE 1)	1
5	TTC054EA001	SWIVEL CONNECTOR GLAND	1
6	TTC054SA001	END SWIVEL GLAND	1
7	TTC045SA002	FEMALE SWIVEL CONNECTOR	1
8	TTC045SA003	SWIVEL CONNECTOR CAP	2
9	TTC054MS001	THRUST PAD	2
10	HF7	1/4" NPT MALE ADAPTOR	2
11	CF4F	COUPLER	1
12	CM4F	COUPLER	1
13	VRA280GB001	SPRING SEAT	1
14	TTC054JS001	LOCKING PIN	1
15	X	LIP SEAL	1

ITEM NO.	PART NUMBER	DESCRIPTION	QTY.
16	X	O- RING	1
17	X	BACK UP RING	1
18	X	SOCKET CAP HD SCREW	8
19	X	SPRING PIN	1
20	X	PISTON SEAL	1
21	X	SKT CSK SCREW	2
22	X	CUP PT SCREW	3
23	X	CUP PT SCREW	1
24	X	GRUB SCREW	1
25	X	3/16 BALL	1
26	X	SPRING	1
27	X SK	O- RING	6
28	X SK	O- RING	1
29	X	BALL PLUNGER	1
30	X	PLUG	1

NOTES

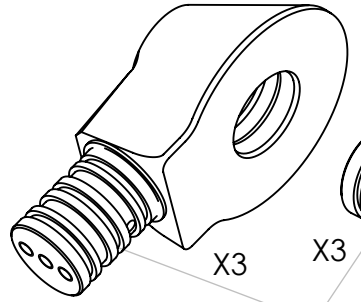
- IF BODY IS REPLACED ITEM 4 SHOULD BE REPLACED AS WELL. BODIES PRIOR TO SERIAL AY5297 DID NOT HAVE ITEM 4 FITTED. REPLACEMENT BODY WILL REQUIRE ITEM 4
- ON EARLIER MODELS ITEMS 2 AND 3 WERE A SINGLE COMPONENT. NEW TWO PIECE PISTON IS INTERCHANGEABLE
- GLAND WRENCH (FOR ITEM 2) AVAILABLE AS PART ATC017PT001

PARTS MARKED "X" ARE AVAILABLE IN SERVICE KIT TWH54NTP2-K ONLY
 PARTS MARKED "SK" ARE ALSO AVAILABLE IN SWIVEL KIT TWSHTP2-K

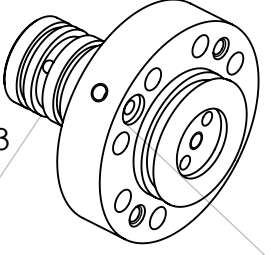
IMPORTANT

WHEN ORDERING SPARES YOU MUST STATE THE FULL PART NUMBER AND THE PRODUCT SERIAL NUMBER - FROM THE LABEL TO PROTECT YOUR WARRANTY ALWAYS USE GENUINE HI-FORCE PARTS.

DO NOT SCALE

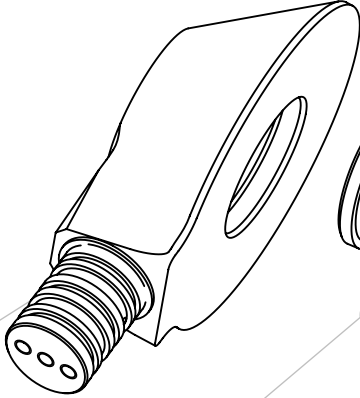


X3



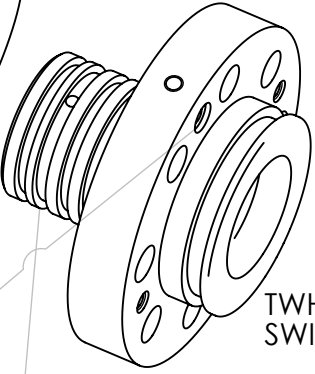
X3

X1



X3

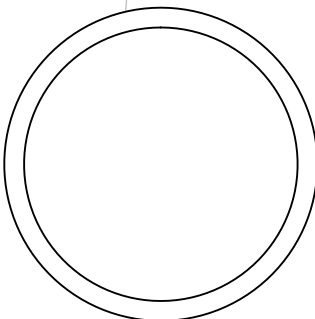
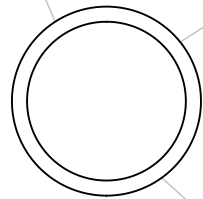
X1



X3

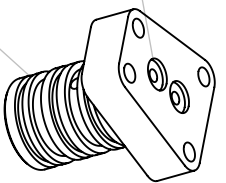
TWH210N
SWIVEL ASSEMBLY

TWH27N
TWH54N
TWH120N
SWIVEL ASSEMBLY



X3

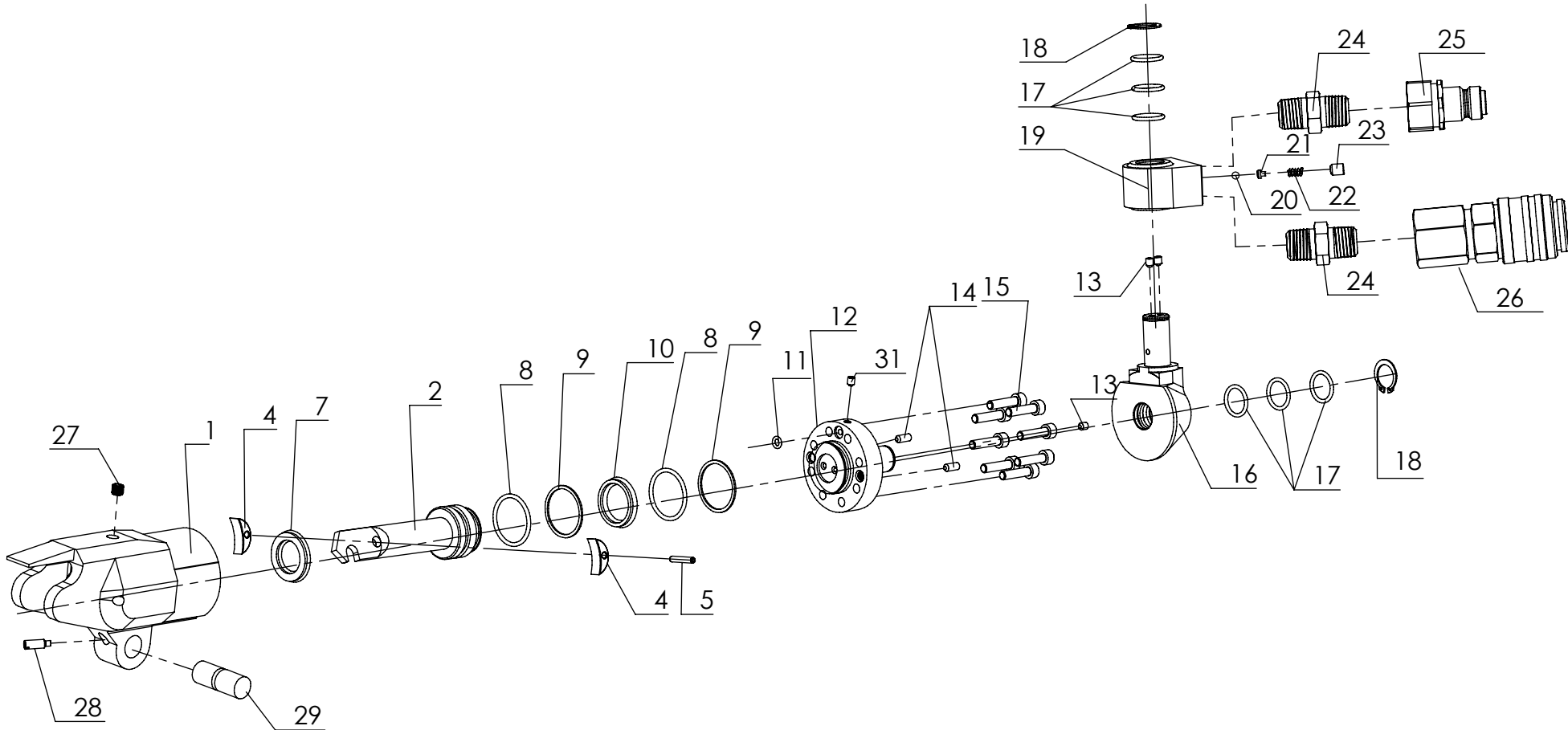
X2



TWS17N
TWS45N
TWS100N
TWS150N
TWS370N
TWH430N
SWIVEL POST

TWSHTP2-K SWIVEL SEAL KIT
(ALL SERIAL NUMBERS EXCEPT THOSE STARTING WITH "D")

PRINT OUT AT FULL SIZE AND
USE AS TEMPLATE TO AID
O-RING IDENTIFICATION



REVISION

1	3905
2	
3	
4	
5	
6	
7	
8	
9	
10	
11	
12	
13	
14	
15	
16	
17	
18	
19	
20	

IMPORTANT

WHEN ORDERING SPARES YOU MUST STATE THE FULL PART NUMBER AND THE PRODUCT SERIAL NUMBER - FROM THE LABEL TO PROTECT YOUR WARRANTY ALWAYS USE GENUINE HI-FORCE PARTS.

ITEM	DESCRIPTION	PART NUMBER
1	HOUSING (SEE NOTE 1)	TTC054BA001
2	PISTON	NOTE 2
4	SLIDER	TTC054MS001
5	SLIDER PIN	X
7	U RING	X
8	O RING	X
9	BACK UP RING	X
10	U RING	X
11	O RING	X SK
12	END CAP	NOTE 3
13	SCREW	X
14	SCREW	X
15	END CAP SCREW	X
16	SWIVEL JOINT	NOTE 3
17	O RING	X SK
18	RETAINING RING	X
19	HOSE SWIVEL	NOTE 3
20	STEEL BALL	X
21	SPRING SEAT	X
22	SPRING	X
23	HOSE SWIVEL SCREW	X
24	FITTING	HF7
25	QUICK COUPLER (MALE)	CM4F
26	QUICK COUPLER (FEMALE)	CF4F
27	PLUG	X
28	BALL PLUNGER	X
29	LINK PIN	TTC054JS001
31	SCREW	X

NOTES:

1. WHEN REPLACING BODY ALSO ORDER BSC022LC001 AND TWH54NTP2-K
2. PISTON ROD IS NOW 2 PIECE DESIGN ORDER TTC054NS002 AND TTC054NS003 ALSO SEAL KIT TWH54NTP2-K
3. AREA SUBJECT TO DESIGN CHANGE. IF ANY OF THESE ITEMS NEED TO BE REPLACED, THEN ALL MUST BE REPLACED TOGETHER BY ORDERING. TTC054SA001, TTC054EA001, TTC045SA002, TTC045SA003 (x2) AND TWH54NTP2-K

REVISION

1 3905

2

3

4

5

6

7

8

9

10

11

12

13

14

15

16

17

18

19

20

ITEMS MARKED X ARE AVAILABLE IN SERVICE KIT TWH54NTP1-K ONLY
ITEMS MARKED SK ARE ALSO AVAILABLE IN SWIVEL KIT TWSHTP1-K

IMPORTANT

WHEN ORDERING SPARES YOU MUST STATE THE FULL PART NUMBER AND THE PRODUCT SERIAL NUMBER - FROM THE LABEL TO PROTECT YOUR WARRANTY ALWAYS USE GENUINE HI-FORCE PARTS.

DO NOT SCALE

WARNING
ON TWH210N TOOLS
WITH THIS TYPE OF SWIVEL IT
IS STRONGLY RECCOMENDED THAT
THE WHOLE ASSEMBLY IS REPLACED
WITH TWH210N-SK ASSEMBLY KIT

