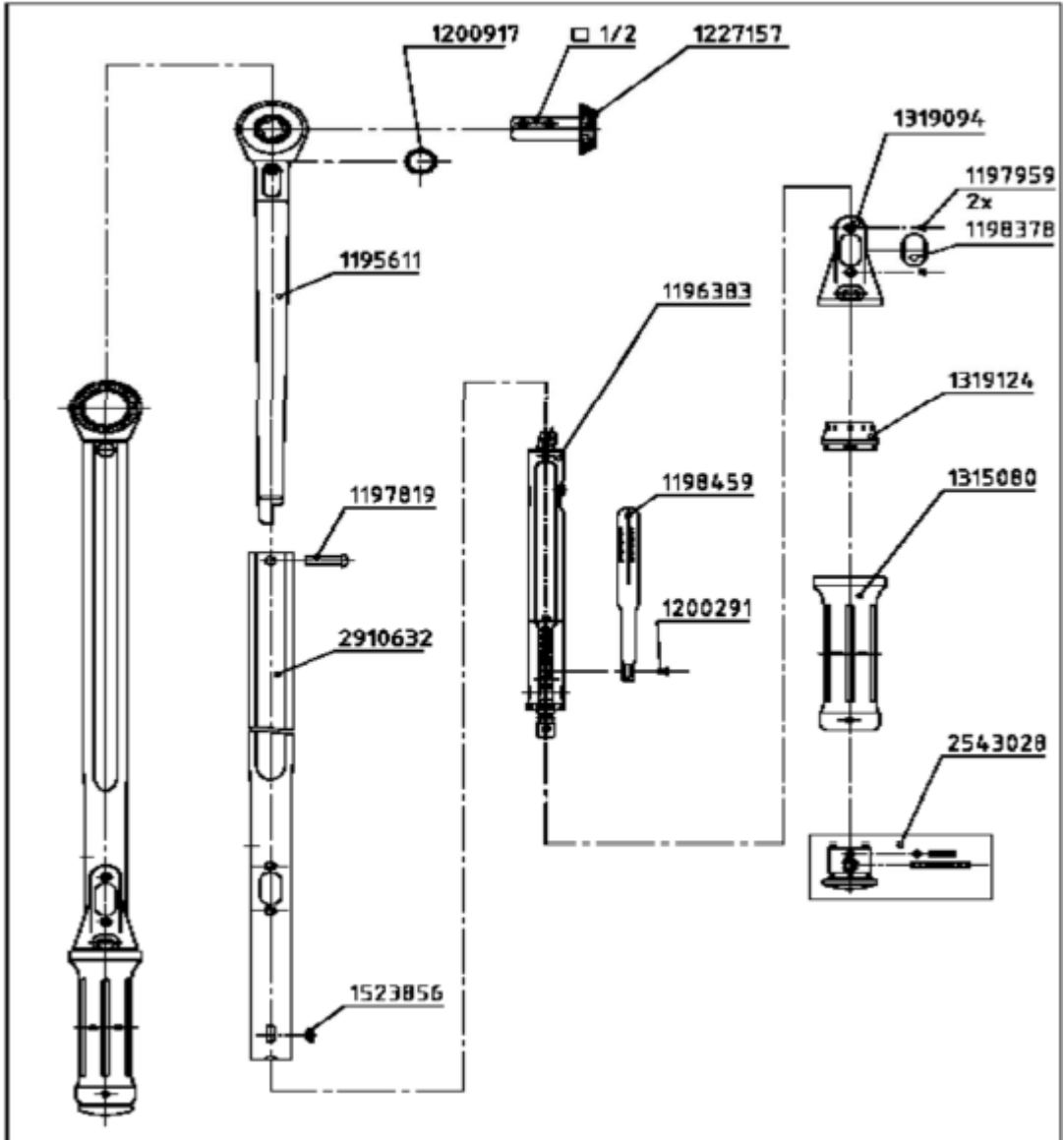


REVISION NO	
1	
2	
3	
4	
5	
6	
7	
8	
9	
10	
11	
12	
13	
14	
15	
16	
17	
18	
19	
20	



HI-FORCE MANUAL TORQUE WRENCH
SPARE PARTS BREAKDOWN SHEET FOR TWM300

IMPORTANT

WHEN ORDERING SPARES YOU MUST STATE THE FULL PART NUMBER AND THE PRODUCT SERIAL NUMBER – FROM THE LABEL.
TO PROTECT YOUR WARRANTY ALWAYS USE GENUINE HI-FORCE PARTS.

SPARE PARTS LIST
TWM 300 – 60 – 300Nm

Part No:	Description	Quantity
1200917	Sealing Ring DIN3771 18 x 3.55 N-NBR70	1
1195611	4550-30 Primary Lever	1
1197819	4550 Half Hollow Rivet 6 x 22.5	1
2910632	TWM300 Body	1
1523856	4645 14 Plastic Adjusting Pin	1
1227157	Mushroom Head Square ½"	1
1196383	4550-30 Spring housing	1
1198459	4550-30 Scale Sheet 60-300Nm	1
1200291	4550 Scale Set Screw M3 x 3.8	1
1319094	4550 Scale Frame	1
1197959	Countersunk Screw DIN965 M3 x 4.5 Black	1
1198378	4550 Plastic Window	1
1319124	Scale Ring	1
1315080	4550 Handle	1
2543028	Adjusting Knob	1

IMPORTANT

WHEN ORDERING SPARES YOU MUST STATE THE FULL PART NUMBER AND THE PRODUCT SERIAL NUMBER – FROM THE LABEL.
TO PROTECT YOUR WARRANTY ALWAYS USE GENUINE HI-FORCE PARTS.