

REVISION NO	
1	4345
2	
3	
4	
5	
6	
7	
8	
9	
10	
11	
12	
13	
14	
15	
16	
17	
18	
19	
20	

Nur für den internen Gebrauch! Keine Weitergabe an Dritte!

WWW.HI-FORCE.COM

**IMPORTANT**

WHEN ORDERING SPARES YOU MUST STATE THE FULL PART NUMBER AND THE PRODUCT SERIAL NUMBER – FROM THE LABEL. TO PROTECT YOUR WARRANTY ALWAYS USE GENUINE HI-FORCE PARTS.

Item No	Part No:	Qty:	Description
1	12009.000	1	Pneumatic Drive Unit
2.1.1	37252.011	1	Gearbox Housing Unit
2.1.1.2	9DU03540	1	Slide Bearing
2.1.2	12160.000	1	Lower Gear Cage Unit
2.1.2.1	12160.010	1	Lower Gear Cage
2.1.2.1.2	9DU01208	1	Slide Bearing
2.1.2.2	12556.010	4	Lower Planetary Wheel Z11 Unit
2.1.2.2.2	9DU01020	1	Slide Bearing
2.1.2.3	12255.010	4	Lower Axis
2.1.3	17356.010	1	Upper Planetary Carrier Z12 unit
2.1.3.2	9DU00806	1	Slide Bearing
2.1.4	17354.010	4	Planetary wheel Z11 Unit
2.1.4.2	9DU01010	1	Slide Bearing
2.1.5	9K000005	1	Steel Ball
2.1.6	90988010	4	Shim Ring
2.2.1	12063.A10	1	Gearbox Housing
2.2.2	12047.011	1	Planetary Carrier Z11
2.2.3	12051.010	1	Planetary Carrier Z17
2.2.4	12058.011	3	Planetary Wheel Z18
2.2.5	12056.011	3	Planetary Wheel Z17
2.2.6	12052.011	3	Planetary Wheel Z14
2.2.7	9NK00001	9	Needle Cage
2.2.8	90988003	9	Shim Ring
2.2.9	17934.010	1	Conical Holding Ring (2 parts)

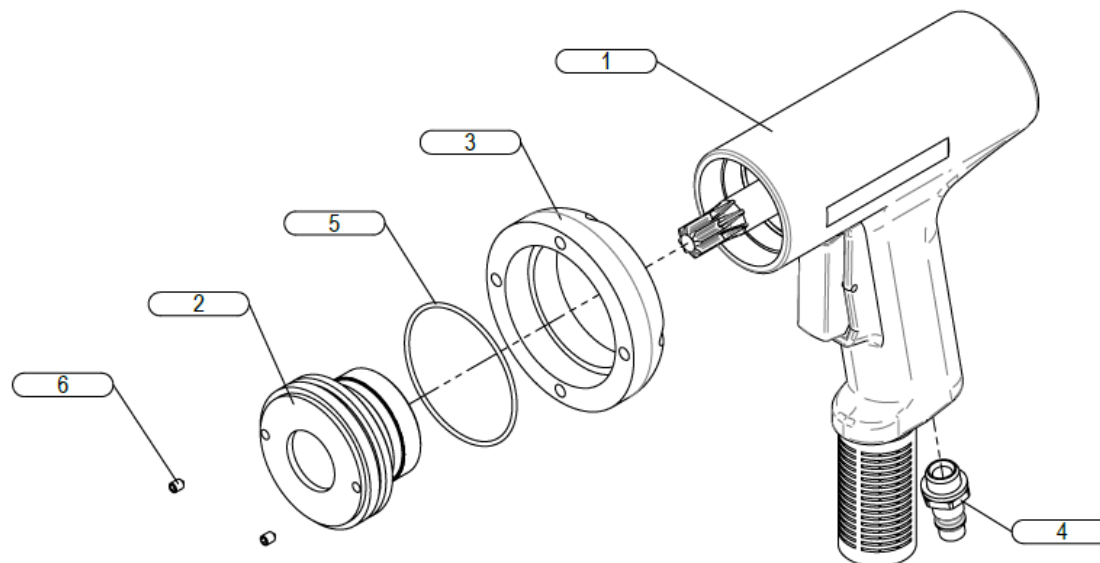
**IMPORTANT**

WHEN ORDERING SPARES YOU MUST STATE THE FULL PART NUMBER AND THE PRODUCT SERIAL NUMBER – FROM THE LABEL.  
TO PROTECT YOUR WARRANTY ALWAYS USE GENUINE HI-FORCE PARTS.

2.2.10	9OR00044	1	O' Ring
2.3	17352.010	1	Drive Pinion Z12
2.4	9K000005	1	Steel Ball
2.5	90914008	6	Set Screw
2.6	17928.010	1	Washer
3	90912011	4	Cylinder Head Screw
4	96797009	4	Toothed Washer

**IMPORTANT**

WHEN ORDERING SPARES YOU MUST STATE THE FULL PART NUMBER AND THE PRODUCT SERIAL NUMBER – FROM THE LABEL.  
TO PROTECT YOUR WARRANTY ALWAYS USE GENUINE HI-FORCE PARTS.

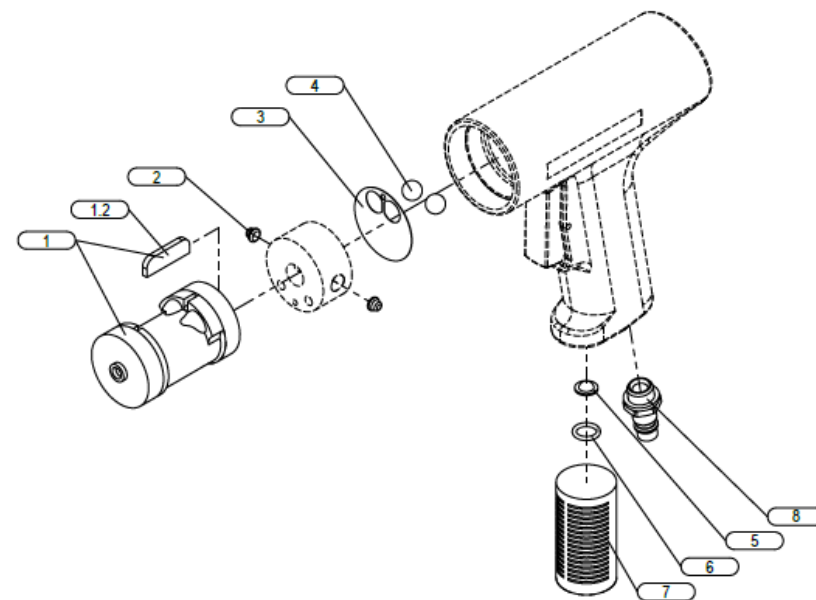


REVISION NO	
1	4345
2	
3	
4	
5	
6	
7	
8	
9	
10	
11	
12	
13	
14	
15	
16	
17	
18	
19	
20	

Item No	Part No:	Qty:	Description
1	12009.000	1	Pneumatic Drive Unit
2	12007.010	1	Motor Flange
3	12013.011	1	Motor Swivel
4	12004.010	1	Air Nipple
5	9OR00038	1	O' Ring
6	90914003	1	Set Screw

**IMPORTANT**

WHEN ORDERING SPARES YOU MUST STATE THE FULL PART NUMBER AND THE PRODUCT SERIAL NUMBER – FROM THE LABEL.  
TO PROTECT YOUR WARRANTY ALWAYS USE GENUINE HI-FORCE PARTS.



Item No	Part No:	Qty:	Description
1	9KT00273	1	Motor Assembly Unit
1.2	12026.010	5	Lamella Set
2	9KT12029	2	Valve cone
3	9KT00091	1	Disc Plate
4	12030.010	2	Control Ball
5	9KT00168	1	Screen
6	9OR00008	1	O' Ring
7	9KT00272	1	Silencer
8	12004.010	1	Air supply Nipple

**IMPORTANT**

WHEN ORDERING SPARES YOU MUST STATE THE FULL PART NUMBER AND THE PRODUCT SERIAL NUMBER – FROM THE LABEL.  
TO PROTECT YOUR WARRANTY ALWAYS USE GENUINE HI-FORCE PARTS.