

## TL - TOUGHLIFT JACKING SYSTEMS

The Hi-Force ToughLift jacking system offers users the easiest and safest method of lifting material haulers in the mining and construction industry and locomotives in the railway industry, when critical maintenance and breakdown repair work requires completion.

Suitable for lifting even the largest earth haulers in the world, the Hi-Force ToughLift is available in 50, 100, 150 and 200 tonnes lifting capacities. All models are available with either a 110 volt or 240 volt single phase electric driven pump unit or a 6 Bar compressed air driven pump version. All models are operated via a remote, push button hand pendant controller with a 6 metre length control cable to ensure the operator has precise control over the lifting operation from a safe distance away from the load.

Hi-Force ToughLift jacking systems are supplied fitted as standard with a hardened steel lifting saddle, patented “snap latch” handle assembly for easy positioning and transportation and a patented jacking system design for increased safety, enabling them to be easily positioned, in the tightest of spaces, to ensure location into the correct and exact lifting and jacking position.

Fitted with large diameter wheels and heavy duty tyres as standard, all ToughLift models are narrow in width and have the smallest footprint area in the industry.

A wide variety of optional extras are also available which include load holding blocks, swivel load caps, locking, load block extensions, slip lock extensions and accessory tool boxes. Further details can be found on pages 172 to 174.

With the Hi-Force ToughLift, plant operators in mining, construction and railway industries are assured of minimal maintenance and repair downtime, of their capital intensive equipment, from the strongest and most versatile lifting jack in the world!



## TL - TOUGHLIFT JACKING SYSTEMS



Working pressure 700 Bar

Choice of 12 models with a range of accessories

Used in mining, construction & railway industries



For more information take a look at the ToughLift website [www.toughlift.com](http://www.toughlift.com)

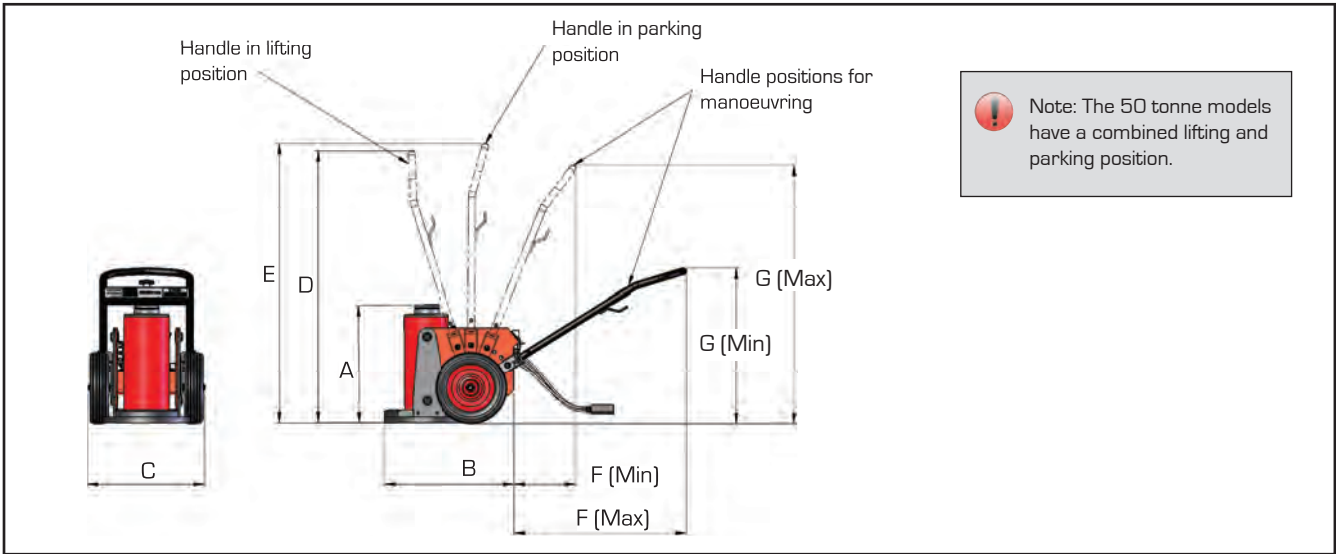
- >> Choice of 50, 100, 150 or 200 tonne lifting capacities
- >> Patented multi-positional lifting handle for easy transportation and positioning
- >> Available with choice of electric or air driven hydraulic pump unit
- >> Push button remote hand pendant controller with 6 metre control cable
- >> Patented jacking system for safe and correct positioning prior to load lift
- >> Wide range of accessories available for even greater versatility (see pages 172 to 174)
- >> Narrow width, with small footprint for easy access into confined spaces
- >> Integral airline filter, lubricator and pressure regulator unit (air driven models only)
- >> User friendly design with easily accessible maintenance features
- >> Large diameter, heavy duty wheels for easy positioning underneath the load

Model number	Capacity tonnes	Power Supply	Stroke mm	Weight kg	Max additional stack in mm
<b>TL050A255</b>	50	6-Bar air driven	254	160	680
<b>TL050E255</b>	50	240V electric	254	168	680
<b>TL100A405</b>	100	6-Bar air driven	405	288	480
<b>TL100A530</b>	100	6-Bar air driven	530	318	180
<b>TL100E405</b>	100	240V electric	405	296	480
<b>TL100E530</b>	100	240V electric	530	326	180
<b>TL150A390</b>	150	6-Bar air driven	390	312	485
<b>TL150A520</b>	150	6-Bar air driven	520	348	180
<b>TL150E390</b>	150	240V electric	390	320	485
<b>TL150E520</b>	150	240V electric	520	356	180
<b>TL200A380</b>	200	6-Bar air driven	381	372	500
<b>TL200E380</b>	200	240V electric	381	380	500

**Note:** All electric driven ToughLift jacking systems are available in 110V and 240V single phase, power supply options. For 110V version, please suffix model number with A, i.e TL050E255-A for 110V version.



## TL - TOUGHLIFT JACKING SYSTEMS



Model number	Dimensions in mm						
	A	B	C	D	E	F MIN - MAX	G MIN - MAX
<b>TL050A255</b>	455	660	560	1440		380-1000	700-1300
<b>TL050E255</b>	455	660	560	1440		380-1000	700-1300
<b>TL100A405</b>	665	730	660	1520	1560	360-960	860-1440
<b>TL100A530</b>	843	730	660	1520	1560	360-960	860-1440
<b>TL100E405</b>	665	730	660	1520	1560	360-960	860-1440
<b>TL100E530</b>	843	730	660	1520	1560	360-960	860-1440
<b>TL150A390</b>	665	730	660	1520	1560	360-960	860-1440
<b>TL150A520</b>	843	730	660	1520	1560	360-960	860-1440
<b>TL150E390</b>	665	730	660	1520	1560	360-960	860-1440
<b>TL150E520</b>	843	730	660	1520	1560	360-960	860-1440
<b>TL200A380</b>	660	730	660	1520	1560	360-960	860-1440
<b>TL200E380</b>	660	730	660	1520	1560	360-960	860-1440

### SADDLES

Tilting saddles are fitted as standard to all ToughLift jacks, however flat saddles can also be supplied as an optional extra. Both types of saddle (flat or tilting swivel) can be easily fitted to all slip lock and load lock extensions.

### SPACERS

Base mounted spacers increase the closed height by 300mm. This optional extra is available for 200 tonne models only and weighs 78.5 kg. Please suffix model number with "E" when ordering.

### EXTENSIONS

Hi-Force also offers a range of extensions for use with ToughLift jacking systems. Slip lock extensions can be used in multiples up to the maximum height specified on page 173. Load lock extensions can only be used one at a time, however, they can be used in conjunction with slip lock extensions.

Both extension options must terminate with a flat or swivel tilting saddle on the top of the extension stack.

